

Residential Energy Storage Solution for North America

E6-TL-US | E8-TL-US

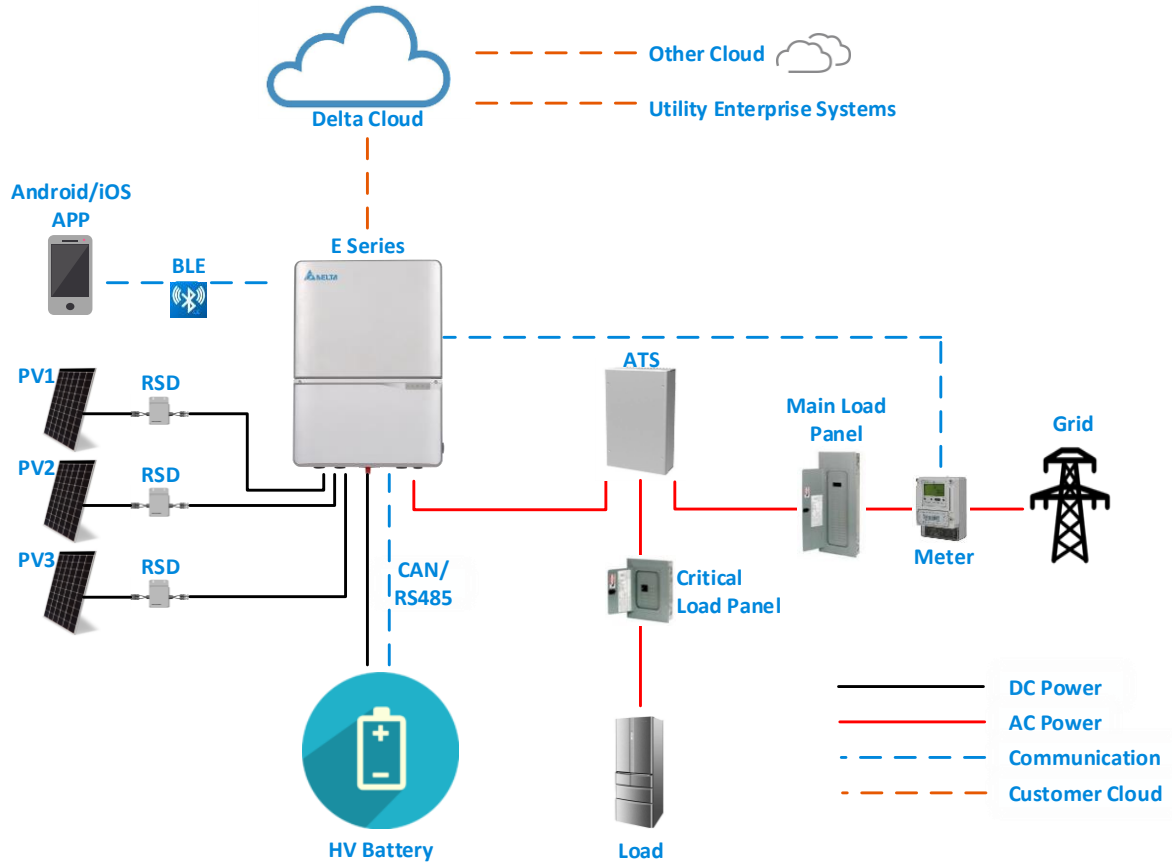


Key Features:

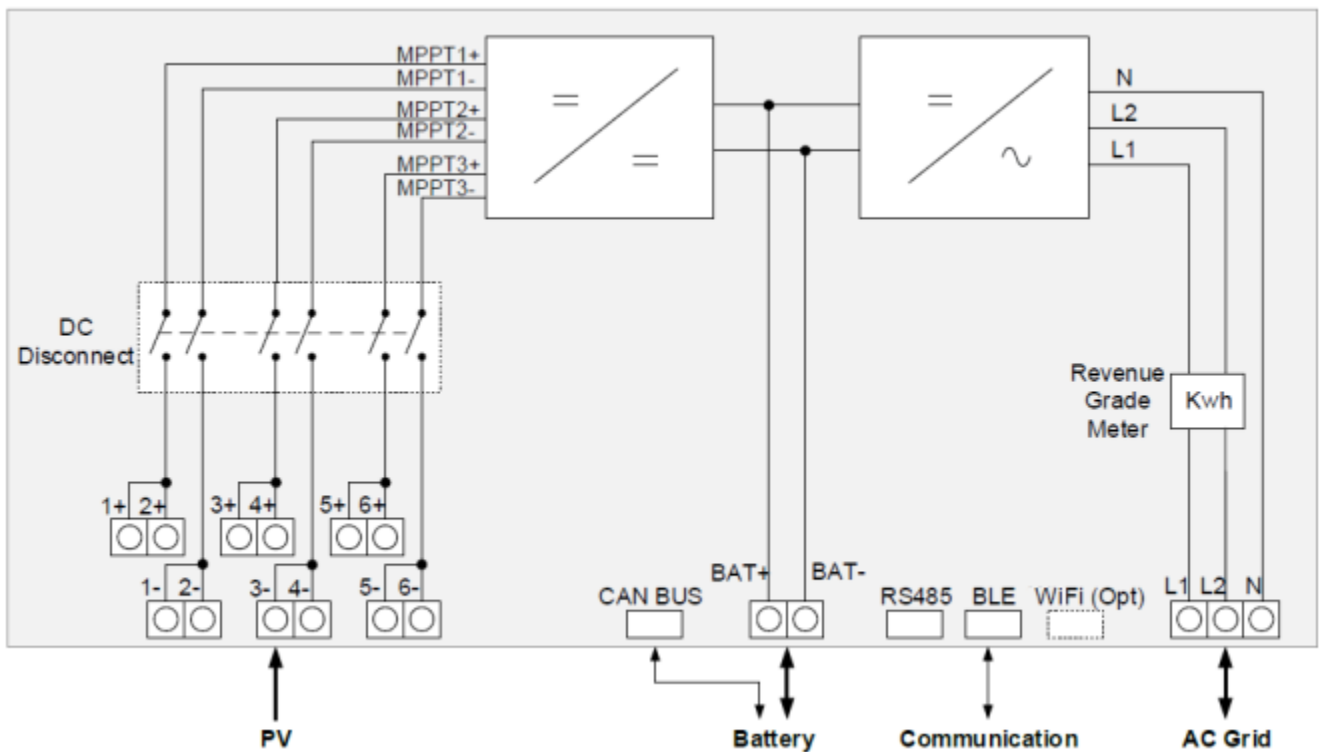
- Support both DC-coupled and AC-coupled systems
- Support back-up and dark start operations
- EMS integrated with self-consumption, zero export, TOU and off grid operations for further settings
- High efficiency, high reliability
- With BLE & WiFi, support cloud based data collecting, monitoring, SW update & control via web portal



System Configuration



The E Series wiring diagram shown below is straightforward and user friendly, allows an installer to finish wiring and configuration setup within 15 minutes.



	E6-TL-US	E8-TL-US
BATTERY PORT		
Compatible battery pack size	5 to 30 kWh	
Rated I/O power	5000 W ¹⁾	5000 W ¹⁾
Peak I/O power(30s)	6000 W	7680 W
Acceptable input voltage range	350 V to 480 V ²⁾	
Rated I/O current	15 A	15 A
Peak I/O current (30s)	18 A	18 A
Cycle efficiency charging to discharging (PCS Only)	Peak > 95 %	
Fuse rating	30 A	
Battery terminal	Screw type	
PV INPUT		
Absolute maximum input voltage	480 V ²⁾	
Start-up voltage	120 V	
Operating MPPT range	50 V to 480 V	
Maximum current (per MPPT)	12 A	12 A
MPP tracker	3	3
Maximum allowable MPPT in-paralleled	2 (String)	
MPPT scan (Shading option)	15min (high) /~ 30min (default) /~ 60min (low)	
MPPT efficiency	>99.6% (Static), >99.3% (Dynamic)	
DC disconnect	Integrated	
DC terminal	Spring type	
AC PORT (ON-GRIG MODE)		
Maximum output power	6000 VA	8000 VA
Voltage range	183 Vac to 229 Vac @ 208 Vac 211 Vac to 264 Vac @ 240 Vac	
Maximum AC current	24 A	32 A
Frequency range	59.3 Hz to 60.5 Hz	
Adjustable frequency range	50 Hz to 66 Hz	
Adjustable power factor range	0.85i to 0.85c	
THD @ nominal power	< 3 %	
Grid support compliance	UL 1741 SA, CA Rule 21, HECO	
RGM (optional)	Integrated comply with ANSI C12.20, Class 0.5	
Output terminal	Spring type	

1) Adjustable value, limited by the output capability of battery pack

2) Adjustable value, limited by the maximum allowed voltage of battery pack

	E6-TL-US	E8-TL-US
AC PORT (OFF-GRIG MODE)		
Output	Pure sin-wave voltage	
Maximum output power	5000 W	
Peak output power (30s)	6000 W	
AC output voltage	240 Vac	
Maximum AC current	21A	
Peak AC current(30s)	25A	
Frequency range	57Hz to 63Hz	
THD @ nominal power	< 5%	
Maximum allowed crest factor	2.5 @ 5000 W	
RGM (optional)	Integrated comply with ANSI C12.20, Class 0.5	
Output terminal	Spring type	
GENERAL PV to AC		
Isolation level	Transformerless	
Type of converter	DC / AC	
Peak efficiency	98%	
CEC efficiency	97.50%	
Operating temperature	-22 °F to 149 °F (-30 °C to 65 °C)	
De-rating start temperature	113 °F (45 °C) or above	
Humidity	0% to 95%	
Maximum operating altitude	9,843 ft (3,000 m) above sea level	
Audible noise	< 45 dB(A) @ 3 ft (1 m)	
MECHANICAL DESIGN		
Dimensions (W x H x D)	16.7 x 23.2 x 5.9 in (425 x 590 x 150 mm)	
Weight	45.9 lbs (20.8 kg)	
Cooling	Natural convection	Natural convection with internal fan
Enclosure material	Aluminum alloy	
Installation type	Vertical wall mount indoor and outdoor	
Warranty	10 years	

	E6-TL-US	E8-TL-US
INTERFACE		
Indicator	5 LEDs	
Protocol	Modbus	
Ethernet (optional)	Standard (support IPv4)	
Human machine interface (HMI)	BLE (Support 4.0 or higher) Settings can be done through APP from mobile phone	
Remote diagnose/monitoring	Bi-direction through cloud	
Remote firmware update	Through cloud (optional)	
Rapid shutdown function	Integrated PLC controller to RSD or MCI	
STANDARDS		
Battery safety	UL 1973 / UL 1974 (Optional depends on battery pack)	
Enclosure protecting rating	Type 4	
Safety	UL 1741, CSA - C22.2 No. 107.1-01	
Software approval	UL 1998	
Grounding fault protection	UL 1741 CRD	
Anti-islanding protection	IEEE 1547, IEEE 1547.1	
EMC	FCC part 15 Class B	
AFCI	UL 1699B (Type 1), NEC 2014 690.11	
Integrated meter	ANSI C12.20 Class 0.5	
Grid support regulation	UL 1741 SA, California Rule 21, HECO Compliant	

Delta Electronics (Americas), Ltd.

46101 Fremont Blvd, Fremont, CA 94538
 Sales Email: Inverter.Sales@deltaww.com
 Support Email: Inverter.Support@deltaww.com
 Sales Hotline: +1-877-440-5851 or +1-626-369-8021
 Support Hotline: +1-877-442-4832
 Support (Intl.): +1-626-369-8019
 Monday to Friday from 6am to 6pm PST (apart from Holidays)

www.Delta-Americas.com

